

This catalog covers:

**TJ053E-□S50**

This fig. covers:

**TITLE**

# PARTS CATALOG

## 2-STROKE ENGINE

### TJ053E

PRODUCT CODE	NOTE
TJ053E-AS50	BRUSH-CUTTER



KAWASAKI HEAVY INDUSTRIES, LTD

P/N 99908-2988-01

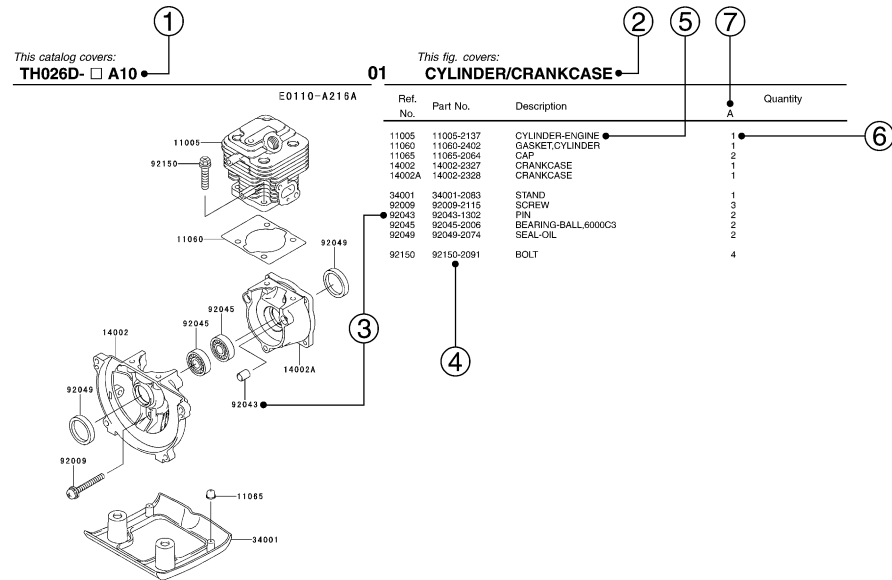
# PARTS CATALOG INTRODUCTION

This parts catalog lists parts and sub-assemblies provided as service parts. When it becomes necessary to replace parts, always use KAWASAKI GENUINE PARTS which have passed strict inspection which guarantees quality and performance.

## 1. HOW TO ORDER PARTS

- When ordering the parts, be sure to use the parts catalog corresponding to the product code. Check the product revision codes on the product and the catalog.  
 Product Code (example) : FA130D-**AA00**  
 Product Revision Code
- Specify the part code (all digits) exactly as listed in this catalog on your parts order.
- The parts not shown in the illustrations of this catalog are not sold separately; only the complete units or next higher assemblies illustrated are supplied as the service parts.

## 2. EXPLANATION OF PARTS CATALOG FORMAT



- Product Code**  
 This code describes the product code covered by this catalog. The product revision code, which is a part of the product code, is omitted.
- Part Group Title**  
 This title is the representative name for the group of parts illustrated on the page.
- Reference Number**  
 The reference numbers are shown on the illustration and the list as the link between them.

## 4) Part Number

This is the key of your parts ordering. Three kinds of part number are used in this catalog.

- Structure 1**  
 □□□□□□-□□□□□□-□□  
 □□□□□□-□□□□□□  
 Part Revision Code
- Structure 2**  
 □□□□□□-□□□□□□-□□  
 Color Code for Painted Part
- Standard Hardware Number**  
 (for bolts, nuts, washer, or the like)  
 □□□□□□□□  
 Size Code  
 Material and Surface Treatment Code  
 Item Code

## 5) Description and Additional Information

The part name, the location, the size, and the serial number as additional information, etc. are described here. Use them to find out and check the part required.

When a part number is changed without change of the product revision code and the changed parts are not interchangeable, the serial number of the product is noted as follows;

- ( FA130 - 100001 ) : Affected units are from beginning of the product of the product code up to and including this serial number.
- ( FA130 - 100002 - ) : Affected units are from this serial number and above.
- ( FA130 - 100002 - FA130 - 110001 ) : Affected units are in this serial number range.

## 6) Quantity

The figure shows quantity of the part required at the indicated position on the illustration and for the specified product revision code.

The asterisk (\*) on this column means the part can be used as the substitute on the product and is supplied until the stock is exhausted.

Note:Some small parts will be supplied by units.

Example: If six (6) bolts are ordered and the minimum quantity per unit is five (5), two (2), units of the bolt will be delivered.

## 7) Product Revision Code

This Code indicates an important change which affects the service parts interchangeability.

## 3. ABBREVIATIONS

# .....	Number	FR.....	Front	RH .....	Right Hand
&.....	And	G .....	Gram	RPM ...	Revolutions Per Minute
(+ ).....	Plus	HEX.....	Hexagonal	RR .....	Rear
(- ).....	Minus	ID=.....	Inside Diameter	STD.....	Standard
2ND.....	Second	IN.....	Inch	T.....	Teeth
3RD .....	Third	L=.....	Length	T=.....	Thickness
4TH.....	Fourth	LH.....	Left Hand	U/S.....	Under Size
A.....	Ampere	LWR .....	Lower	UPP .....	Upper
AR.....	As Required	MM.....	Millimeter	V.....	Volt
ASSY.....	Assembly	O/S.....	Over Size	W.....	Watt
CNT .....	Center	OD=.....	Outside Diameter		
COMP.....	Complete	REF.....	Reference		

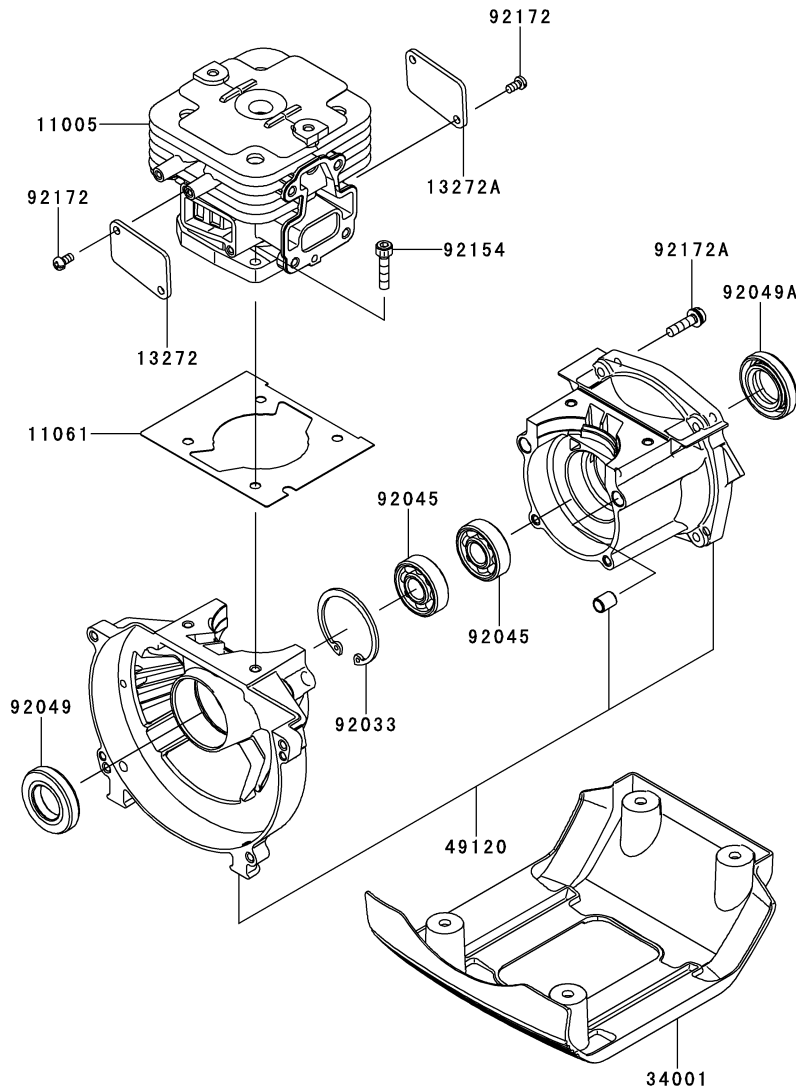
This catalog covers:

**TJ053E- □ S50**

This fig. covers:

**01 CYLINDER/CRANKCASE**

E0110-A769B

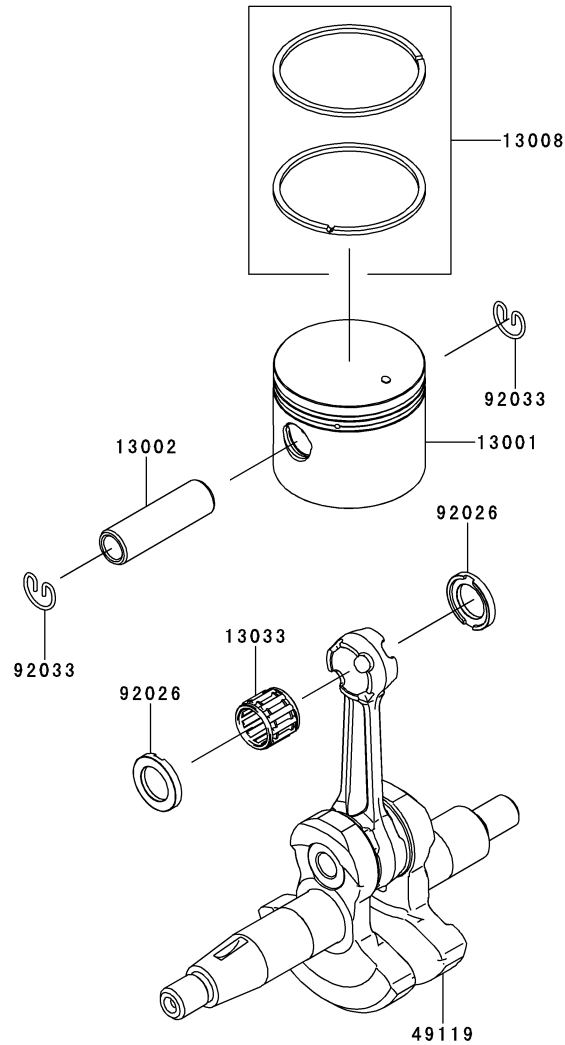


Ref. No.	Part No.	Description	Quantity
11005	11005-2166	CYLINDER-ENGINE	1
11061	11061-2234	GASKET,CYLINDER	1
13272	13272-2044	PLATE	1
13272A	13272-2049	PLATE	1
49120	49120-0713	CRANKCASE	1
34001	34001-2093	STAND	1
92033	92033-2202	RING-SNAP	1
92045	92045-2285	BEARING-BALL	2
92049	92049-2280	SEAL-OIL	1
92049A	92049-2281	SEAL-OIL	1
92154	92154-2047	BOLT	4
92172	92172-2103	SCREW,4X8	4
92172A	92172-2122	SCREW,5X40	4

This catalog covers:  
**TJ053E- □ S50**

This fig. covers:  
**02 PISTON/CRANKSHAFT**

E0120-A454A



Ref. No.	Part No.	Description	Quantity
13001	13001-2197	PISTON-ENGINE	1
13002	13002-2105	PIN-PISTON	1
13008	13008-6075	RING-SET-PISTON	1
13033	13033-2063	BEARING-SMALL END	1
49119	49119-2248	CRANKSHAFT-ASSY	1
92026	92026-2364	SPACER	2
92033	92033-2200	RING-SNAP	2

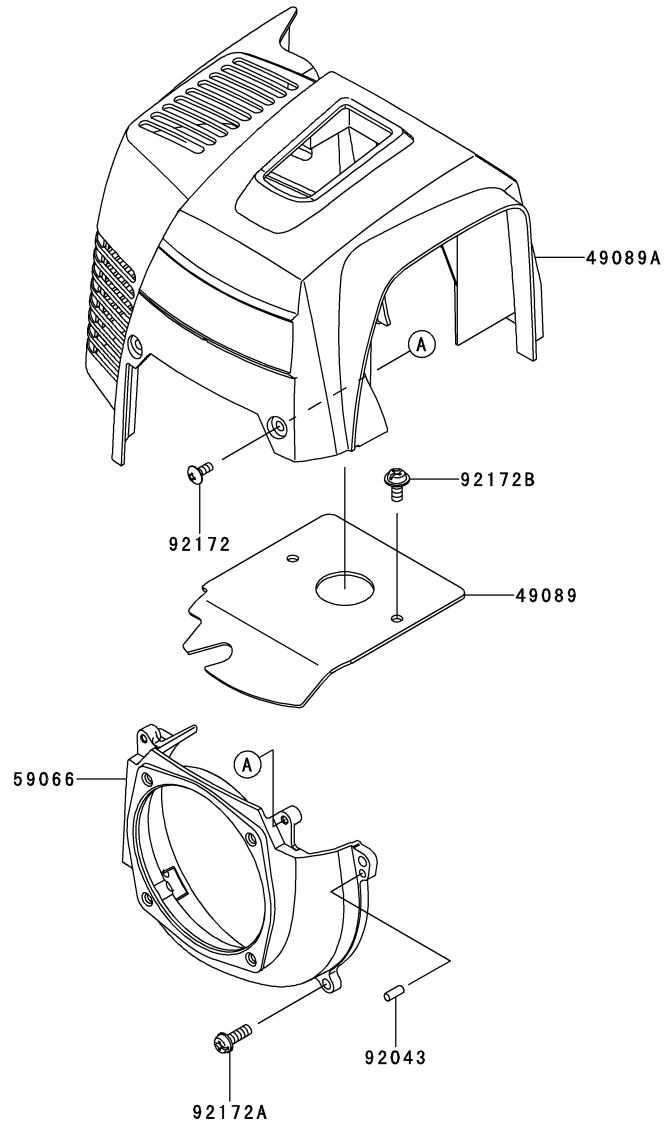
This catalog covers:

**TJ053E- □ S50**

This fig. covers:

**03 COOLING-EQUIPMENT**

E0150-B089A



Ref. No.	Part No.	Description	Quantity
49089	49089-0752	SHROUD-ENGINE	1
49089A	49089-2781	SHROUD-ENGINE	1
59066	59066-2823	HOUSING-FAN	1
92043	92043-2275	PIN	2
92172	92172-2060	SCREW,4X10	2
92172A	92172-2125	SCREW,5X16	4
92172B	92172-2140	SCREW,5X12	2

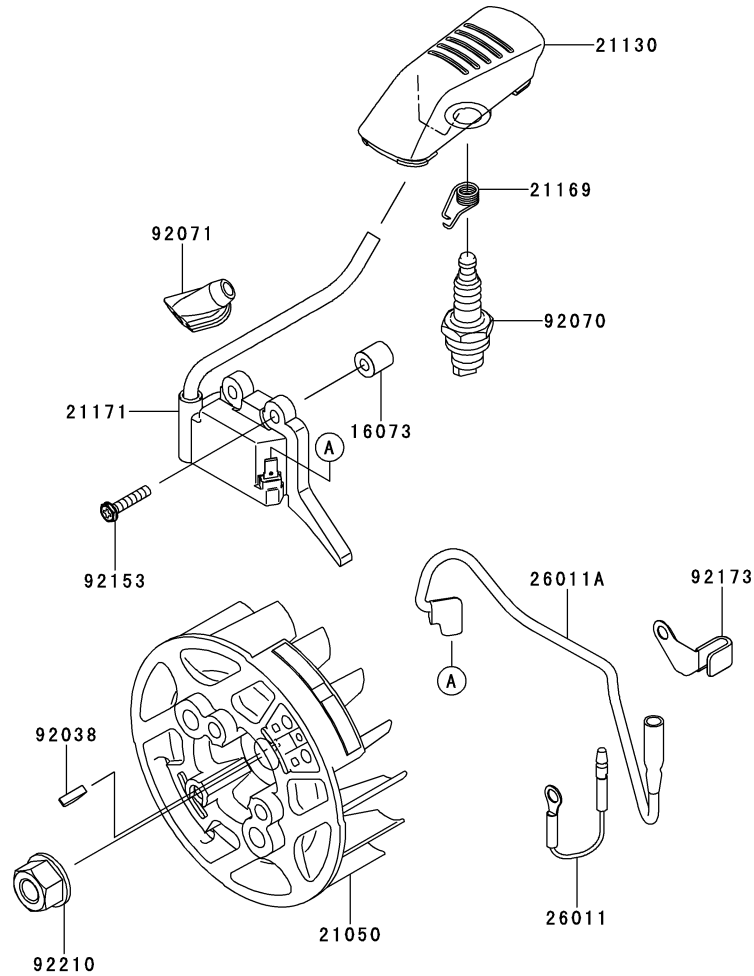
This catalog covers:

**TJ053E- □ S50**

This fig. covers:

**04 ELECTRIC-EQUIPMENT**

E0160-B645A

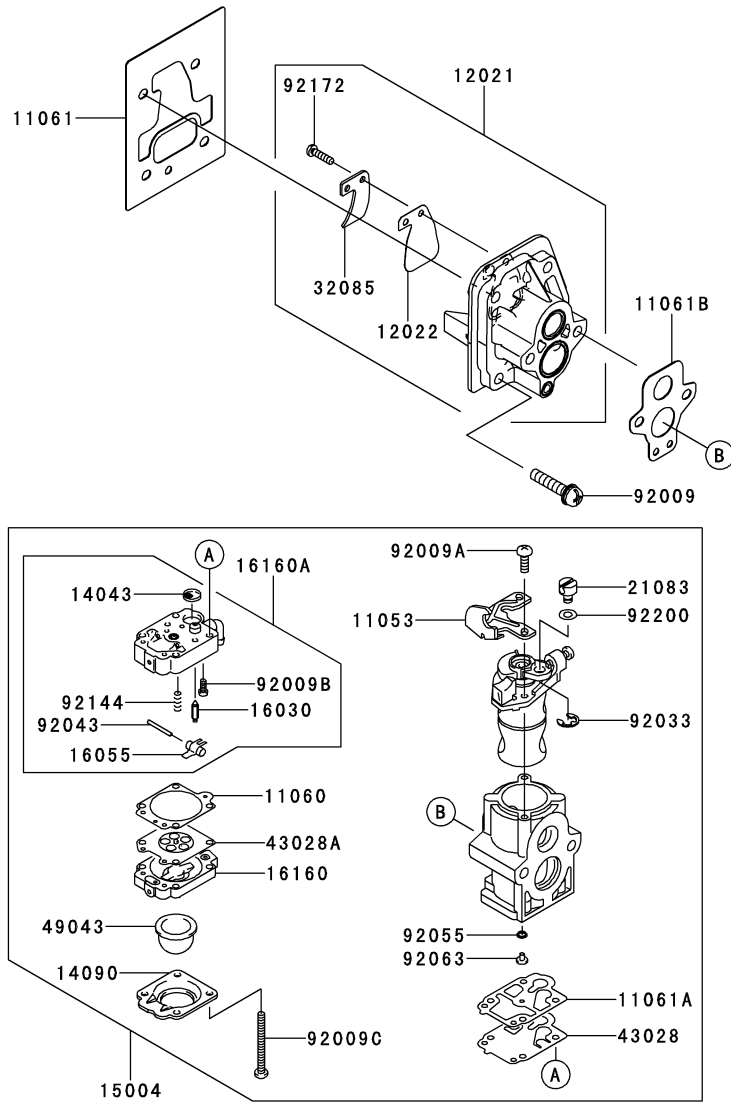


Ref. No.	Part No.	Description	A	Quantity
16073	16073-2239	INSULATOR		2
21050	21050-2328	FLYWHEEL		1
21130	21130-2082	CAP-SPARK PLUG		1
21169	21169-2080	TERMINAL		1
21171	21171-2292	COIL-ASSY-IGNITION		1
26011	26011-2389	WIRE-LEAD		1
26011A	26011-2399	WIRE-LEAD		1
92038	92038-2109	KEY		1
92070	92070-2122	PLUG-SPARK		1
92071	92071-0704	GROMMET		1
92153	92153-2138	BOLT,4X20		2
92173	92173-0963	CLAMP		1
92210	92210-2136	10MM		1

This catalog covers:  
**TJ053E- □ S50**

This fig. covers:  
**05 CARBURETOR**

E0180-A929A



Ref. No.	Part No.	Description	Quantity
11053	11053-2066	BRACKET	1
11060	11060-2111	GASKET	1
11061	11061-0763	GASKET,CARBURETOR/INSULATOR	1
11061A	11061-2054	GASKET	1
11061B	11061-2237	GASKET,CARBURETOR-INSULATOR	1
12021	12021-0706	VALVE-ASSY-REED	1
12022	12022-2063	VALVE-REED	1
14043	14043-2051	FILTER	1
14090	14090-2017	COVER,PRIMER PUMP	1
15004	15004-2100	CARBURETOR-ASSY	1
16030	16030-2078	VALVE-FLOAT	1
16055	16055-2051	LEVER	1
16160	16160-0728	BODY	1
16160A	16160-2101	BODY	1
21083	21083-2073	ARM	1
32085	32085-2109	STOPPER	1
43028	43028-2067	DIAPHRAGM	1
43028A	43028-2096	DIAPHRAGM	1
49043	49043-2067	PUMP-PRIMING	1
92009	92009-2235	SCREW,5X25	4
92009A	92009-2277	SCREW	2
92009B	92009-2336	SCREW	1
92009C	92009-2337	SCREW	4
92033	92033-2078	RING-SNAP	1
92043	92043-2094	PIN	1
92055	92055-2147	RING-O	1
92063	92063-0018	JET-MAIN,#53	1
92144	92144-2308	SPRING	1
92172	92172-2123	SCREW,3X12	1
92200	92200-2074	WASHER	1

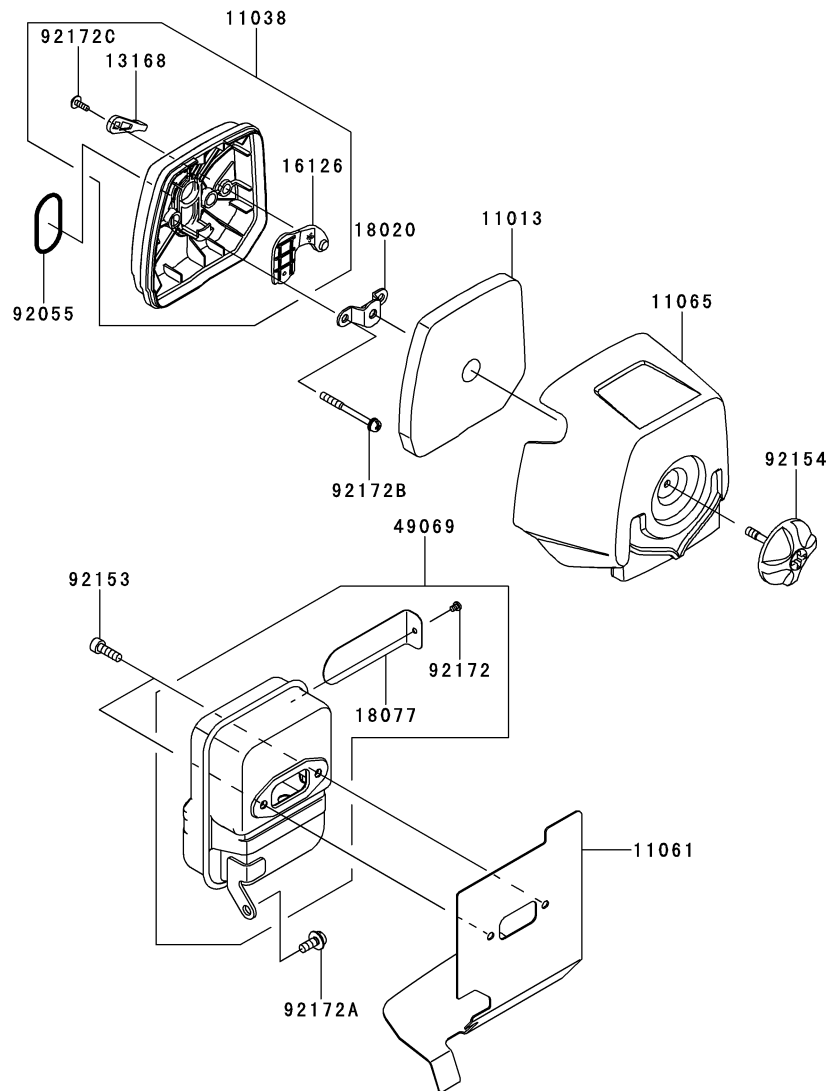
This catalog covers:

**TJ053E- □ S50**

This fig. covers:

**06 AIR-FILTER/MUFFLER**

E0190-B379A



Ref. No.	Part No.	Description	Quantity
11013	11013-2242	ELEMENT-AIR FILTER	1
11038	11038-0705	CASE-ASSY-AIR FILTER	1
11061	11061-0822	GASKET,MUFFLER	1
11065	11065-2141	CAP	1
13168	13168-2521	LEVER,AIR FILTER	1
16126	16126-2250	VALVE,AIR FILTER	1
18020	18020-2096	BAFFLE	1
18077	18077-2144	ARRESTER-SPARK	1
49069	49069-2454	MUFFLER-ASSY	1
92055	92055-2222	RING-O	1
92153	92153-2137	BOLT,SOCKET,5X16	2
92154	92154-2045	BOLT,5X30	1
92172	92172-2112	SCREW	1
92172A	92172-2114	SCREW,5X14	1
92172B	92172-2130	SCREW,5X55	2
92172C	92172-2136	SCREW,3X10	1

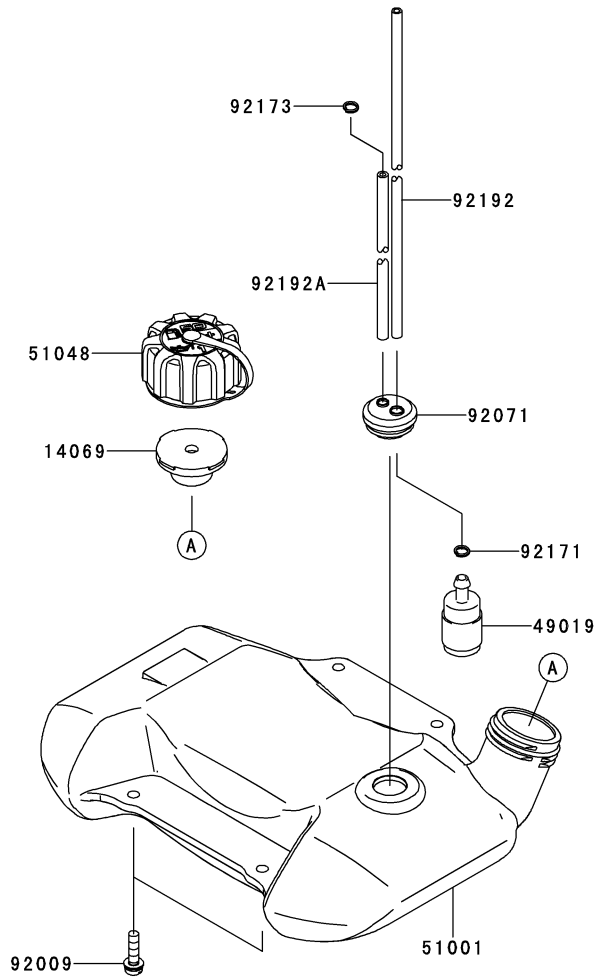


This catalog covers:  
**TJ053E- □ S50**

This fig. covers:  
**07 FUEL-TANK/FUEL-VALVE**

E0200-A809A

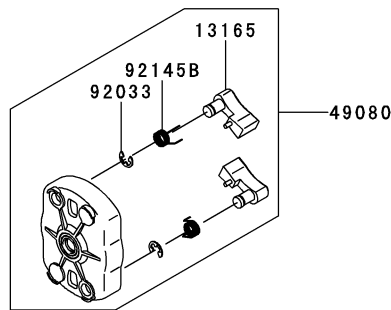
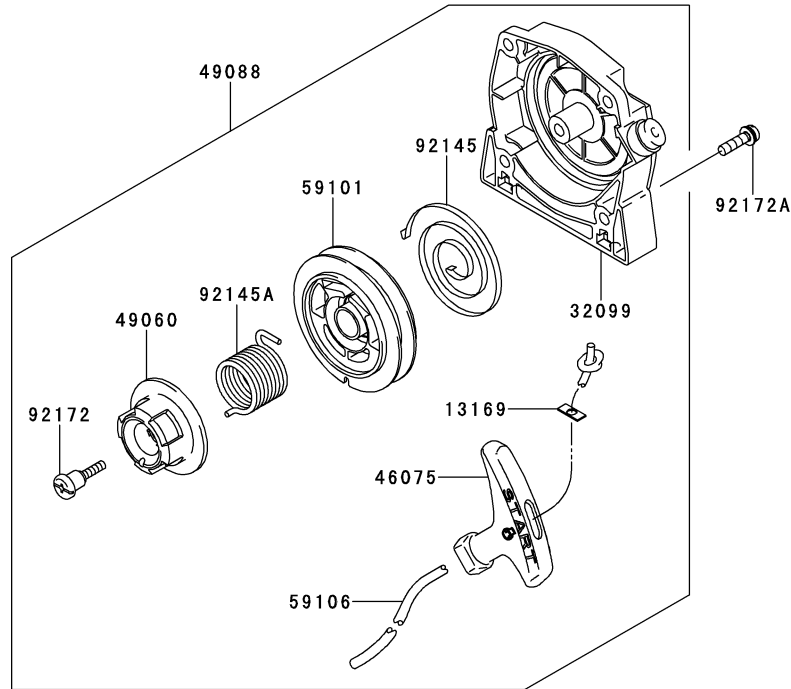
Ref. No.	Part No.	Description	Quantity
14069	14069-2088	BREATHER	1
49019	49019-2111	FILTER-FUEL	1
51001	51001-2343	TANK-COMP-FUEL	1
51048	51048-2087	CAP-ASSY-TANK	1
92009	92009-2249	SCREW,5X20	4
92071	92071-2169	GROMMET	1
92171	92171-2086	CLAMP	1
92173	92173-2022	CLAMP	1
92192	92192-2177	TUBE,3X5X200	1
92192A	92192-2225	TUBE,3X5.5X100	1



This catalog covers:  
**TJ053E- □ S50**

This fig. covers:  
**08 STARTER**

E0210-A615A



Ref. No.	Part No.	Description	Quantity
13165	13165-2109	PAWL,RECOIL-STARTER	2
13169	13169-2386	PLATE,RECOIL STARTER	1
32099	32099-0707	CASE,STARTER-RECOIL	1
46075	46075-2129	GRIP,RECOIL STARTER	1
49060	49060-0556	CAM,PLATE	1
49080	49080-0707	PULLEY-STARTING	1
49088	49088-0711	STARTER-RECOIL	1
59101	59101-0010	REEL,STARTER-RECOIL	1
59106	59106-0554	ROPE,3.8X1000	1
92033	92033-2010	RING-SNAP	2
92145	92145-0837	SPRING,SPIRAL	1
92145A	92145-0864	SPRING,DAMPER	1
92145B	92145-2148	SPRING	2
92172	92172-0705	SCREW	1
92172A	92172-0710	SCREW,6X22	4

This catalog covers:

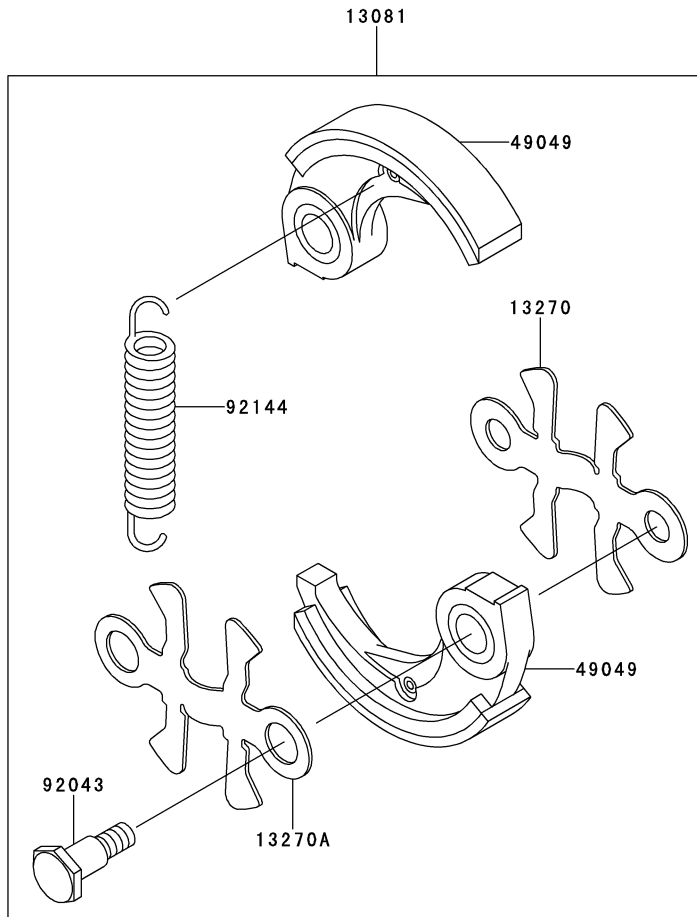
**TJ053E- □ S50**

This fig. covers:

**09 P.T.O-EQUIPMENT**

E0220-A017A

Ref. No.	Part No.	Description	Quantity
13081	13081-2224	CLUTCH-ASSY	1
13270	13270-2118	PLATE	1
13270A	13270-2119	PLATE	1
49049	49049-2098	SHOE-CLUTCH	2
92043	92043-2210	PIN,CLUTCH	2
92144	92144-2373	SPRING	1



This catalog covers:

**TJ053E- □ S50**

**10**

This fig. covers:

**LABEL**

F0290-B780A

Ref. No.	Part No.	Description	Quantity
56033	56033-2091	LABEL-MANUAL	1
56039	56039-2983	LABEL-PRODUCT	1
56071	56071-2010	LABEL-WARNING	1
56080	56080-2495	LABEL-BRAND	1

56033



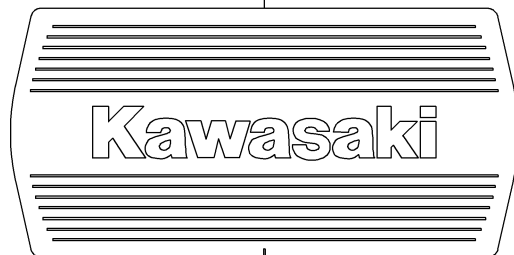
56039



56071



56080



*This catalog covers:*

**TJ053E- □ S50**

*This fig. covers:*

---

## PART NAME INDEX

AIR-FILTER/MUFFLER .....	06
CARBURETOR .....	05
COOLING-EQUIPMENT .....	03
CYLINDER/CRANKCASE .....	01
ELECTRIC-EQUIPMENT .....	04
FUEL-TANK/FUEL-VALVE .....	07
LABEL .....	10
P.T.O-EQUIPMENT .....	09
PISTON/CRANKSHAFT .....	02
STARTER .....	08

This catalog covers:

**TJ053E- □ S50**

This fig. covers:

**NUMERICAL PARTS INDEX**

Part No.	Fig No.	Part No.	Fig No.	Part No.	Fig No.	Part No.	Fig No.	Part No.	Fig No.
11005-2166	01	49120-0713	01	92210-2136	04				
11013-2242	06	51001-2343	07						
11038-0705	06	51048-2087	07						
11053-2066	05	56033-2091	10						
11060-2111	05	56039-2983	10						
11061-0763	05	56071-2010	10						
11061-0822	06	56080-2495	10						
11061-2054	05	59066-2823	03						
11061-2234	01	59101-0010	08						
11061-2237	05	59106-0554	08						
11065-2141	06	92009-2235	05						
12021-0706	05	92009-2249	07						
12022-2063	05	92009-2277	05						
13001-2197	02	92009-2336	05						
13002-2105	02	92009-2337	05						
13008-6075	02	92026-2364	02						
13033-2063	02	92033-2010	08						
13081-2224	09	92033-2078	05						
13165-2109	08	92033-2200	02						
13168-2521	06	92033-2202	01						
13169-2386	08	92038-2109	04						
13270-2118	09	92043-2094	05						
13270-2119	09	92043-2210	09						
13272-2044	01	92043-2275	03						
13272-2049	01	92045-2285	01						
14043-2051	05	92049-2280	01						
14069-2088	07	92049-2281	01						
14090-2017	05	92055-2147	05						
15004-2100	05	92055-2222	06						
16030-2078	05	92063-0018	05						
16055-2051	05	92070-2122	04						
16073-2239	04	92071-0704	04						
16126-2250	06	92071-2169	07						
16160-0728	05	92144-2308	05						
16160-2101	05	92144-2373	09						
18020-2096	06	92145-0837	08						
18077-2144	06	92145-0864	08						
21050-2328	04	92145-2148	08						
21083-2073	05	92153-2137	06						
21130-2082	04	92153-2138	04						
21169-2080	04	92154-2045	06						
21171-2292	04	92154-2047	01						
26011-2389	04	92171-2086	07						
26011-2399	04	92172-0705	08						
32085-2109	05	92172-0710	08						
32099-0707	08	92172-2060	03						
34001-2093	01	92172-2103	01						
43028-2067	05	92172-2112	06						
43028-2096	05	92172-2114	06						
46075-2129	08	92172-2122	01						
49019-2111	07	92172-2123	05						
49043-2067	05	92172-2125	03						
49049-2098	09	92172-2130	06						
49060-0556	08	92172-2136	06						
49069-2454	06	92172-2140	03						
49080-0707	08	92173-0963	04						
49088-0711	08	92173-2022	07						
49089-0752	03	92192-2177	07						
49089-2781	03	92192-2225	07						
49119-2248	02	92200-2074	05						